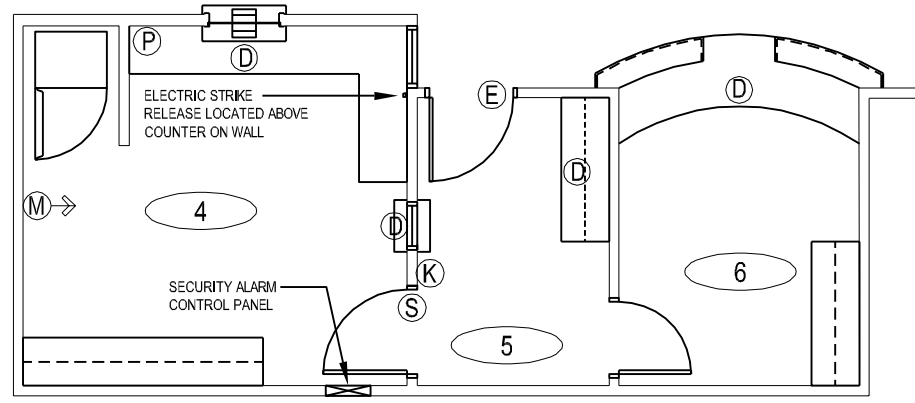
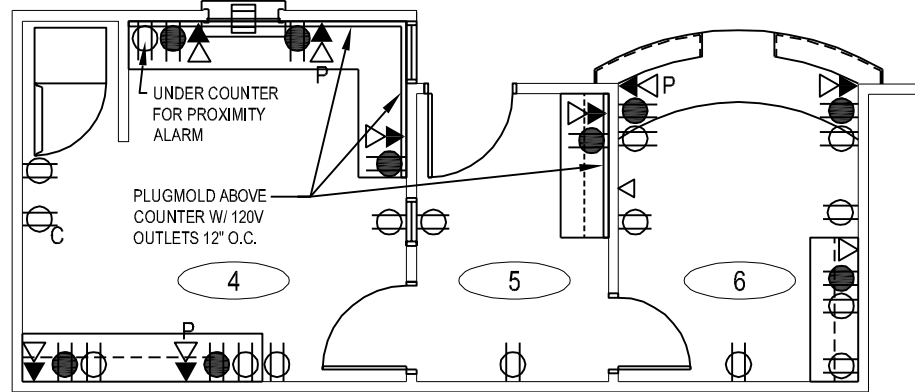
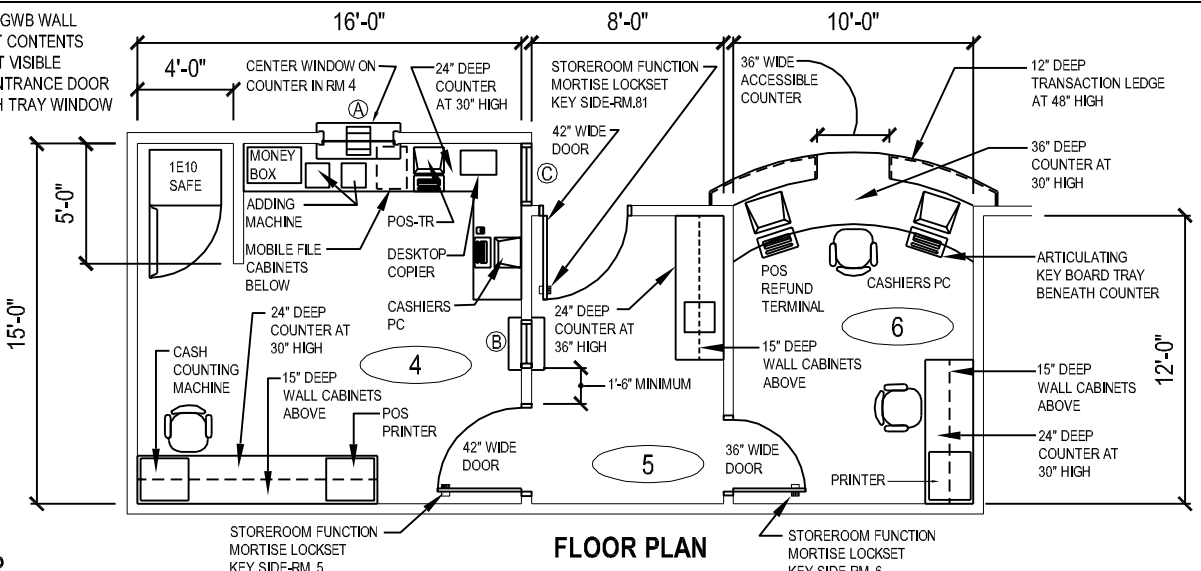


PROVIDE VISUAL SCREEN FOR SAFETY SEE DESIGN CRITERIA SECTION 11 16 16

EXTEND GWB WALL SO THAT CONTENTS ARE NOT VISIBLE FROM ENTRANCE DOOR OR CASH TRAY WINDOW

- 4 CASHIER OFFICE
- 5 CASH COUNTING
- 6 CUSTOMER SERVICE



- WINDOW LEGEND**
- (A) CASHIER'S WINDOW W/ BLINDS AT 42" AFF SIZE: 3'-4"W X 3'-8"H
 - (B) CASH TRAY WINDOW W/ SERVICE COUNTER AT 42" AFF SIZE: 2'-0"W X 3'-8"H
 - (C) WINDOW W/ BLINDS AT 42" AFF SIZE: 2'-6"W X 3'-8"H

REFER TO DECA DESIGN CRITERIA HANDBOOK SECTION 13 25 00 "CASH ROOMS" FOR SPECIFIC CONSTRUCTION REQUIREMENTS IN THIS AREA.

DATE	DEFENSE COMMISSARY AGENCY DIRECTORATE OF ENGINEERING FORT LEE, VIRGINIA - LACKLAND AFB, TEXAS		DESIGN STANDARD
JUN 2022	TITLE	CASHIER-CASH COUNTING-CUSTOMER SERVICE STANDARD FLOOR PLAN CLASS III, IV & V STORES	132500-01
	REF.	REV.	